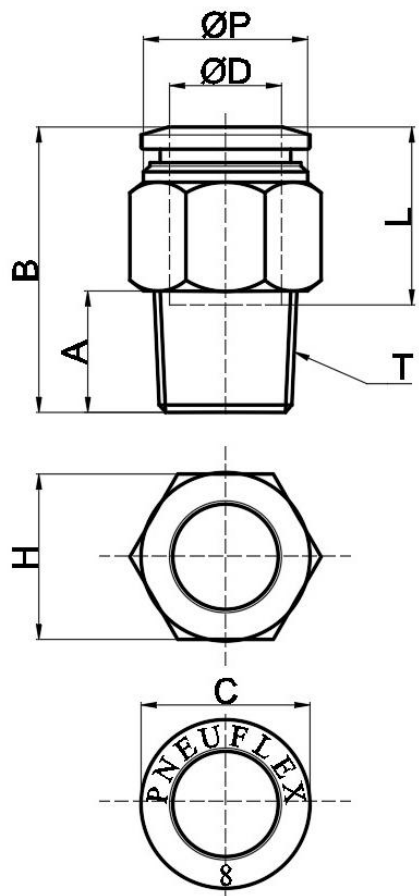


SPC-L MALE CONNECTOR

Metric Tubing to R, PT, BSPT Thread



Model	ØD	T	ØP	A	B	L	H	C
SPC 04-M5L	4	M5	9.8	4	19.5	14	10	9.5
SPC 04-M6L		M6	9.8	4	19.5	14	10	
SPC 04-01L		R1/8	9.8	7.5	19.5	14	10	
SPC 04-02L		R1/4	9.8	10	19.5	14	14	
SPC 04-03L		R3/8	9.8	11	20.5	14	17	
SPC 04-04L		R1/2	9.8	14	23.5	14	22	
SPC 06-M5L	6	M5	11.8	4	22.5	18.5	12	12.7
SPC 06-M6L		M6	11.8	4	22.5	18.5	12	
SPC 06-01L		R1/8	11.8	7.5	20.5	18.5	12	
SPC 06-02L		R1/4	11.8	10	24.5	18.5	14	
SPC 06-03L		R3/8	11.8	11	22.5	18.5	17	
SPC 06-04L		R1/2	11.8	14	26	18.5	22	
SPC 08-01L	8	R1/8	13.8	7.5	28	18.5	14	13.6
SPC 08-02L		R1/4	13.8	10	27	18.5	14	
SPC 08-03L		R3/8	13.8	11	23.5	18.5	17	
SPC 08-04L		R1/2	13.8	14	27	18.5	22	
SPC 10-01L	10	R1/8	16.9	7.5	30	21	17	15.6
SPC 10-02L		R1/4	16.9	10	32.5	21	17	
SPC 10-03L		R3/8	16.9	11	28	21	17	
SPC 10-04L		R1/2	16.9	14	26.5	21	22	
SPC 12-01L	12	R1/8	18.7	7.5	32.5	23	19	18.6
SPC 12-02L		R1/4	18.7	10	35	23	19	
SPC 12-03L		R3/8	18.7	11	30.5	23	19	
SPC 12-04L		R1/2	18.7	14	32.5	23	22	
SPC 14-01L	14	R1/8	21.6	7.5	34	25	22	21.5
SPC 14-02L		R1/4	21.6	10	36.5	25	22	
SPC 14-03L		R3/8	21.6	11	37.5	25	22	
SPC 14-04L		R1/2	21.6	14	34	25	22	
SPC 16-01L	16	R1/8	23.8	7.5	36	27	24	23.5
SPC 16-02L		R1/4	23.8	10	38.5	27	24	
SPC 16-03L		R3/8	23.8	11	39.5	27	24	
SPC 16-04L		R1/2	23.8	14	36	27	24	